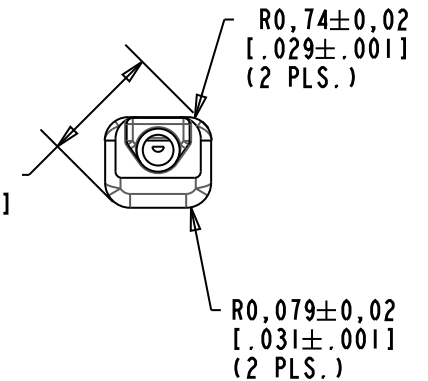
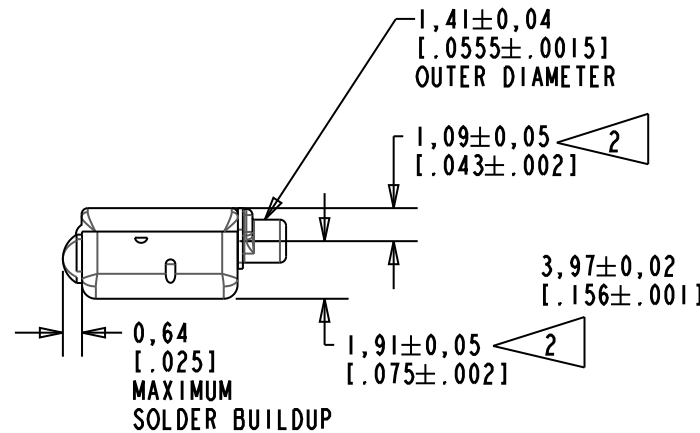
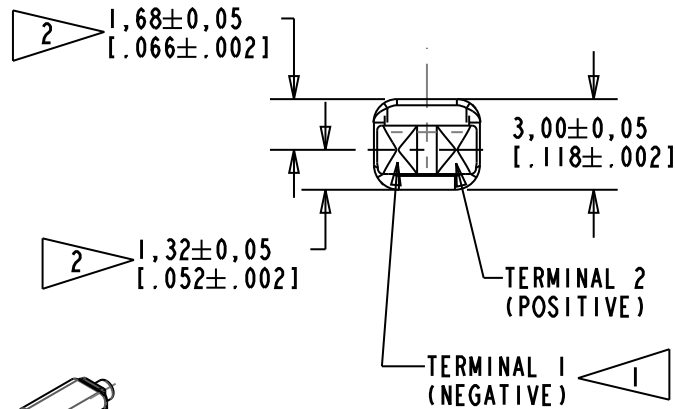
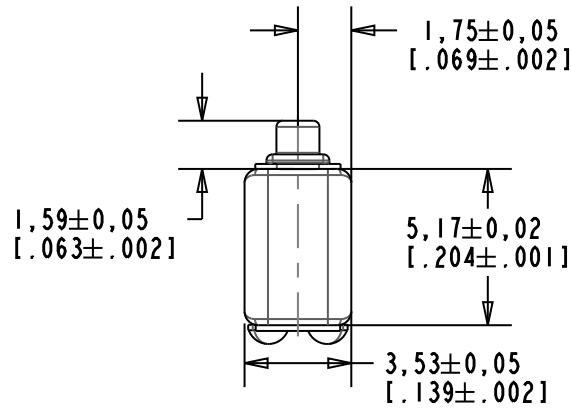


FC-30814-000

SHT 1.1

NOTES:

- 1 A POSITIVE GOING VOLTAGE AT TERMINAL 2, RELATIVE TO TERMINAL 1, CAUSES A DECREASE IN PRESSURE AT THE SOUND OUTLET.
- 2 LOCATED FROM TWO SURFACES FOR CUSTOMER CONVENIENCE. ONLY APPLICABLE FROM ONE SURFACE, NOT TO BE USED TOGETHER.



NOMINAL WEIGHT
.23 GRAMS

DIMENSIONS IN MILLIMETERS [INCHES]

KNOWLES ELECTRONICS
ITASCA, ILLINOIS U.S.A.

Revision	C.O. #	Implementation Date	RELEASE LEVEL	REVISION
			Active	A
A	CI0110202	10-9-09		

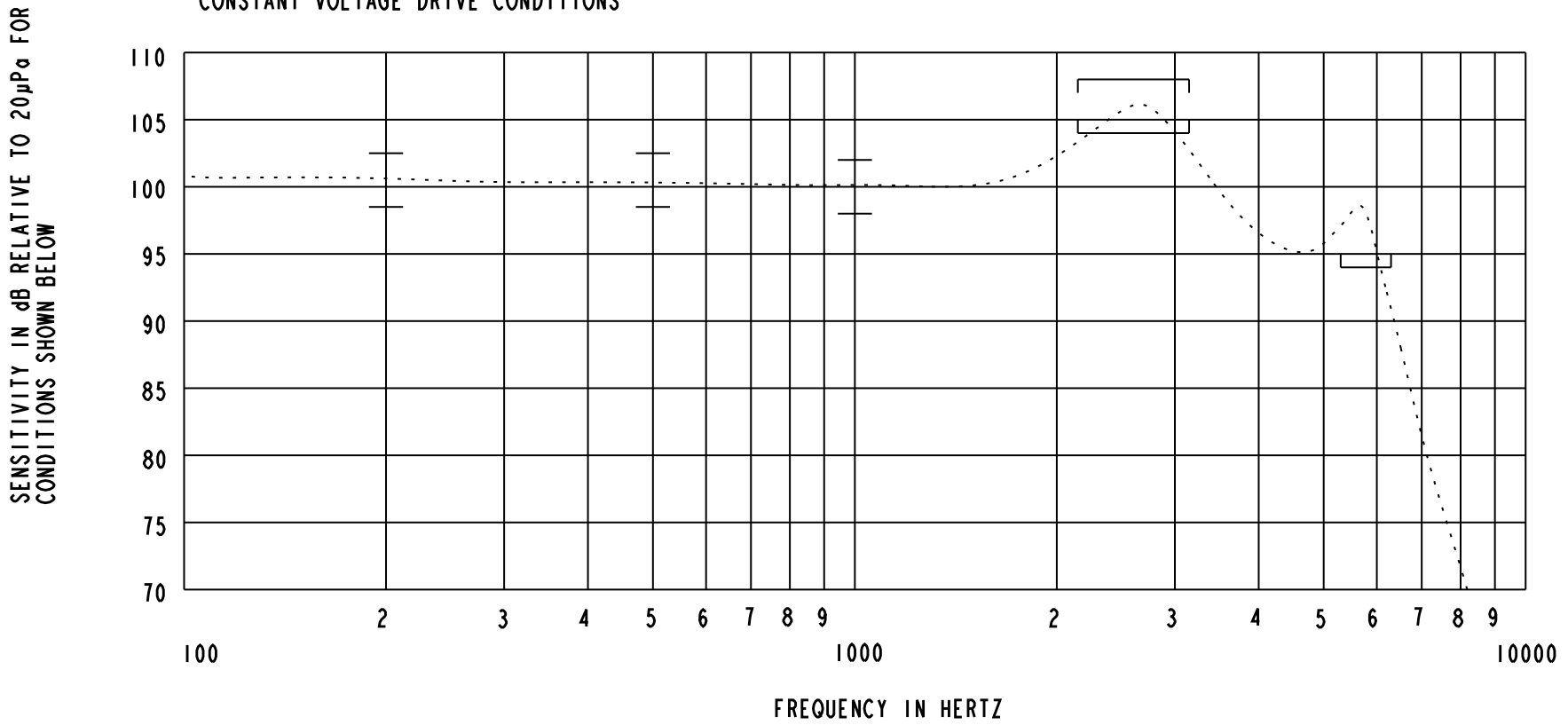
SCALE: 4:1		DR. BY: MMM	DATE: 10-9-09
DO NOT SCALE DRAWING		CR. BY: GJP	DATE: 10-13-09
TITLE: RECEIVER		FC-30814-000	
OUTLINE DRAWING		SHT 1.1	
		APP. BY: GJP	DATE: 10-13-09

THE FC-30814-000 IS AN UNDAMPED MAGNETIC BALANCED ARMATURE RECEIVER INTENDED FOR USE IN ITC AND CIC HEARING INSTRUMENTS WITH HIGH DCR/IMPEDANCE RATIO AND INCREASED BANDWIDTH MOTOR.

NO DAMPING

FC-30814-000

SHEET 2.1



ACOUSTICAL

SENSITIVITY

DEVICE WILL PRODUCE THE SPL LISTED BELOW UNDER TEST CONDITIONS DESCRIBED IN TABLE 3. NOMINAL SENSITIVITY AT 1kHz IS dB RELATIVE TO 20μPa. ALL OTHER VALUES IN dB RELATIVE TO THE SENSITIVITY AT 1kHz.

FREQUENCY (Hz)	MINIMUM	NOMINAL	MAXIMUM
200	-1.5	+0.5	+2.5
500	-1.5	+0.5	+2.5
1000	-2.0	100.0	+2.0
2150 - 3150	+4.0	+6.0	+8.0
5300 - 6300	-6.0	---	---

PORT LOCATION: 12C

TABLE 1

TOTAL HARMONIC DISTORTION

DEVICE WILL NOT EXCEED TOTAL HARMONIC DISTORTION LEVELS LISTED BELOW.

FREQUENCY (Hz)	AC DRIVE (V rms)	DC BIAS (V)	LIMIT (%)
500	0.272	0	10
883	0.136	0	5
1325	0.136	0	5

TABLE 2

TEST CONDITIONS

NOMINAL SOURCE VOLTAGE	0.136 V rms, 0 mA DC BIAS
SOURCE IMPEDANCE	<1 Ohm
TUBING	10mm [.394"] LONG, 1mm [.039"] I.D.
COUPLER CAVITY	2 CM ³ , SIMULATED ANSI S3.7 TYPE HA-3 (IEC 126)

TABLE 3

ELECTRICAL

DC RESISTANCE	51.8 Ohms ± 10%
IMPEDANCE @ 500 Hz	60.0 Ohms ± 15%
IMPEDANCE @ 1kHz	72.9 Ohms ± 15%

TABLE 4

ISOLATION: CASE WILL BE ELECTRICALLY ISOLATED FROM THE COIL CIRCUIT.

Revision	C.O. #	Implementation Date	RELEASE LEVEL	REVISION
			Active	A
A	C10110202	10-9-09		
WHEN TEST LIMITS ARE USED TO ESTABLISH INCOMING INSPECTION ACCEPTANCE/REJECTION CRITERIA, CORRELATION OF TEST EQUIPMENT WITH KNOWLES IS ALSO REQUIRED FOR ELIMINATION OF EQUIPMENT AND TEST METHOD VARIATION				
TITLE: RECEIVER			FC-30814-000	DR. BY DATE
PERFORMANCE SPECIFICATION			SHT 2.1	MMM 10-9-09
				CK. BY DATE
				GJP 10-13-09
				APP. BY DATE
				GJP 10-13-09

KNOWLES ELECTRONICS
ITASCA, ILLINOIS U.S.A.